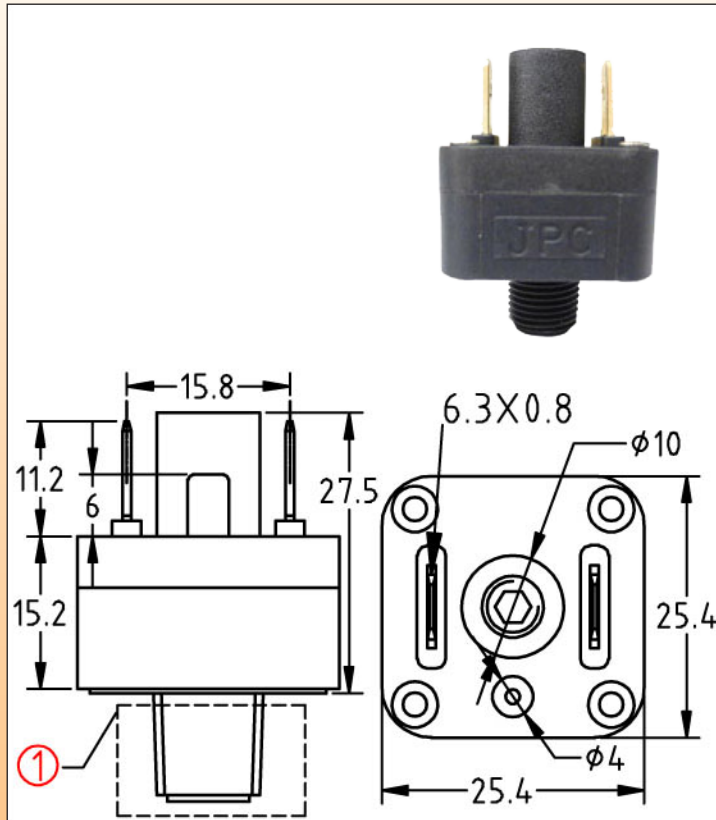


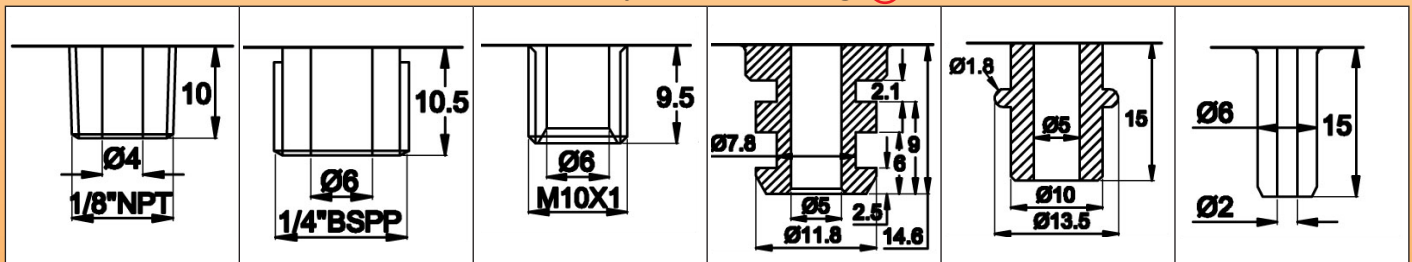
# Slow action contact miniature vacuum switches, 6.35 x 0.8 mm terminals, plastic fitting SPNC contact : Type ZF

## DIMENSIONS



**Uses:** Low voltage, high sensitivity  
**Main applications:** Electronic printed circuit. This vacuum switch is more sensible than snap action models and can be calibrated at lower pressure values. Very small differential.  
**Membranes:** EPDM, dia 22 mm. Silicone or NBR on request  
**Fluid:** air or water  
**Fitting:** Plastic  
**Pressure:** negative (Vacuum)  
**Housing:** PA66, UL94 VO  
**Contact:** single pole normally closed at atmospheric pressure, slow break.  
**Electrical rating:**  
 - Silver contact: max 1A 250V  
 - Gold plated contact: max 100 mA, 24V  
**Action:** momentary, open on vacuum increase (=decrease of absolute pressure).  
**Set point calibration:** factory calibrated and sealed, not field adjustable  
**Set point calibration limits (relative pressure):** standard calibration minus 50mbar, other values are achievable from minus 20 to minus 200 mbar  
**Electrical connection:** two 6.35 x 0.8 mm quick connect terminals  
**Maximum pressure:** 2 bars (29 PSI)  
**Maximum vacuum:** minus 500 mbar (relative pressure)  
**Ambient temperature limits:** 0 to 85°C

## Available pressure inlet fittings ①



## References ( with calibration at minus 50 mbar):

Pressure inlet	Silver contact	Gold plated contact
1/8" NPT	ZF2X18EA05000000	ZF2X18EG05000000
1/4" BSPP	ZF2X1QEA05000000	ZF2X1QEG05000000
M10 x 1	ZF2X1MEA05000000	ZF2X1MEG05000000
Snap in fitting, 2 grooves dia 7.8	ZF2X1TEA05000000	ZF2X1TEG05000000
Snap in fitting, 1 groove dia 10	ZF2X1ZEA05000000	ZF2X1ZEG05000000
Snap in fitting, 1 spout dia 6 mm	ZF2X1AEA05000000	ZF2X1AEG05000000

Other set point values: replace 050 in the product reference by the requested value in mbar

